

CFP TECHNOLOGIES

Reg. no. 1987/027414/23

P.O Box 15740

Sinoville

0129

Tel:0828570324

012 5673618

Email: Cjvdb@mweb.co.za

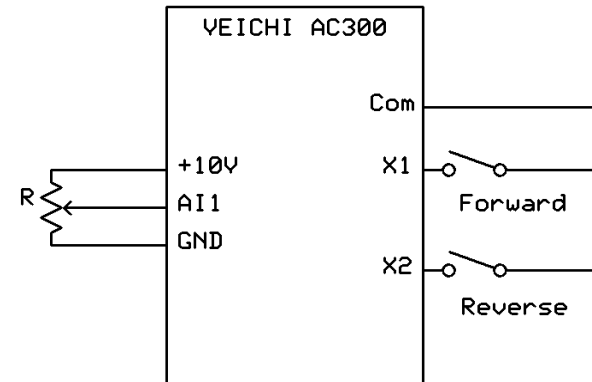
www.cfptechnologies.co.za



Veichi AC310 VFD

External latching switch configuration

AC310 Connector	Comments
X1 (Forward)	N/O Latch type switch
X2 (Reverse)	N/O Latch type switch
COM	Common side of switches
GND	} 2 - 5Kohm Linear potentiometer
AI1	
+10V	



Change the following parameters on Veichi AC310

Parameter	Parameter Description	Value
F05.00	X1 Forward Run	1
F05.01	X2 Reverse Run	2
F05.20	2 wire configuration	0
F01.01	External Terminal Control	1
F01.02	External Potentiometer (if required)	2

Optional settings

Parameter	Value
F01.10	Maximum Frequency allowed in Hz (Speed)
F01.12	Upper limit Frequency (Speed)
F01.13	Lower Frequency limit in Hz
F01.22	Acceleration Time in seconds
F01.23	Deceleration time in seconds