

CFP TECHNOLOGIES

Reg. no. 1987/027414/23

P.O Box 15740

Sinoville

0129

Tel:0828570324

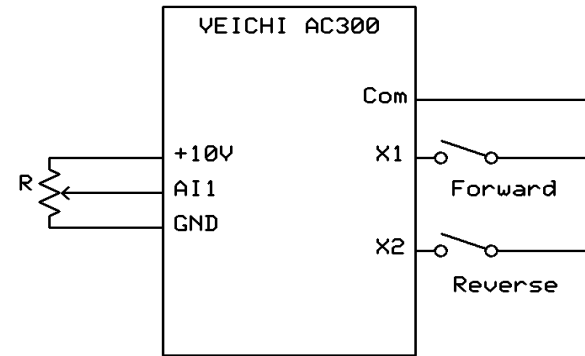
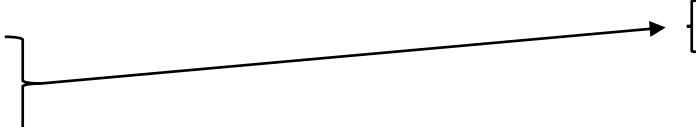
012 5673618

Email: Cjvdb@mweb.co.za

www.cfptech.co.za

Veichi AC300 VFD External latching switch configuration

AC300 Connector
X1 (Forward)
X2 (Reverse)
COM
GND (ext pot)
AI1 (ext pot)
+10V (ext pot)
Earth (E)



Change the following parameters on Veichi AC300

Parameter	Parameter Description	Value
F02.00	X1 Forward Run	1
F02.01	X2 Reverse Run	2
F02.23	2 wire configuration	0
F00.02	External Terminal Control	1
F00.03	External Potentiometer (if required)	2

Optional settings

Parameter	Value
F00.09	Maximum Frequency allowed in Hz
F00.11	External speed reference max frequency
F00.12	Lower Frequency limit in Hz
F00.14	Acceleration Time in seconds
F00.15	Deceleration time in seconds