

CFP TECHNOLOGIES

Reg. no. 1987/027414/23

P.O Box 15740

Sinoville

0129

Tel:0828570324

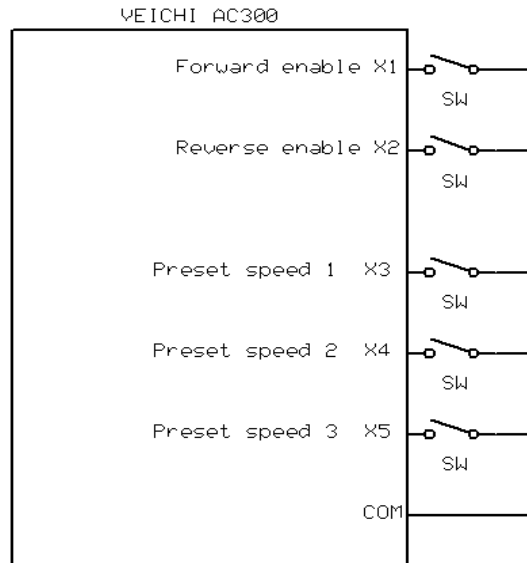
012 5673618

Email: Cjvdb@mweb.co.za

www.cfpotech.co.za

Veichi AC300 VFD
Preset Speed Setup

AC300 Connector
X1 (Forward)
X2 (Reverse)
COM
X3 Preset speed 1
X4 Preset speed 2
X5 Preset speed 3



Change the following parameters on Veichi AC300

Parameter	Parameter Description	Value	Preset Speed
F00.02	External Terminal Control	1	
F00.03	Frequency reference Multispeed	11	
F00.14	Acceleration time in seconds		
F00.15	Deceleration Time in seconds		
F02.00	X1 Forward Run enable	1	
F02.01	X2 Reverse Run enable	2	
F02.02	X3 Preset Speed Terminal 1	16	F12.00 (Hz)
F02.03	X4 Preset Speed Terminal 2	17	F12.01 (Hz)
F02.04	X5 Preset Speed Terminal 3	18	F12.03 (Hz)

In order for X1 and X2 to be used as speeds using onboard or external reference set the following:

F00.03	Frequency reference onboard keypad	0
F00.03	Frequency reference external potiometer	2