

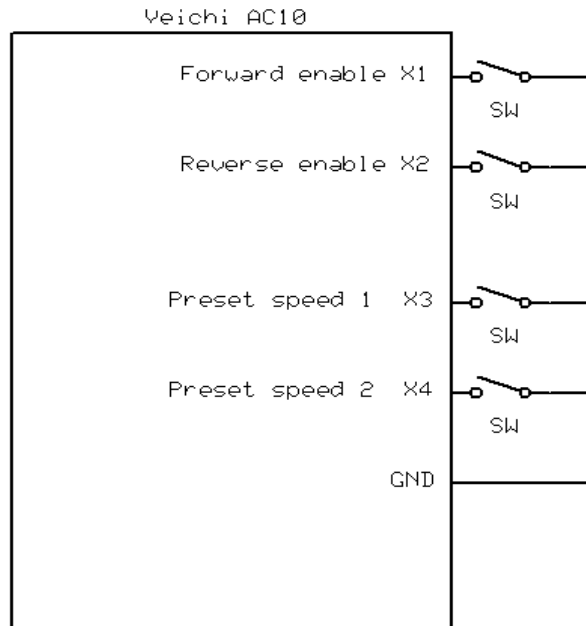
CFP TECHNOLOGIES

Tel: 0828570324
 012 5673618 / 012 5430683
 www.cfptechnologies.co.za
 Email: info@cfptechnologies.co.za



Veichi AC10 VFD
Preset Speed Setup

AC10 Connector
X1 (Forward enable)
X2 (Reverse enable)
GND
X3 Preset speed 1
X4 Preset speed 2



Change the following parameters on Veichi AC10

Parameter	Parameter Description	Value	Preset Speed
F01.01	External Terminal Control	1	
F01.02	Frequency reference Multispeed	11	
F01.22	Acceleration time in seconds		
F01.23	Deceleration Time in seconds		
F05.00	X1 Forward Run enable	1	
F05.01	X2 Reverse Run enable	2	
F05.02	X3 Preset Speed Terminal 1	16	F14.00 (Hz)
F05.03	X4 Preset Speed Terminal 2	17	F14.01 (Hz)
F07.15	Cut motor power at 0Hz (important setting)	1	

NOTE: If X1 and X2 inputs needs to be used as onboard or external potentiometer variable speed inputs, adjust the following:

Parameter	Parameter Description	Value
F01.02	Frequency reference. Onboard Up/Down Arrows	0
F01.02	Frequency reference. Onboard potentiometer	1
F01.02	Frequency reference. External potentiometer	2